

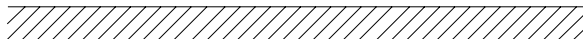
Operating instructions

BUENOS AIRES UV-C

Wall mounting

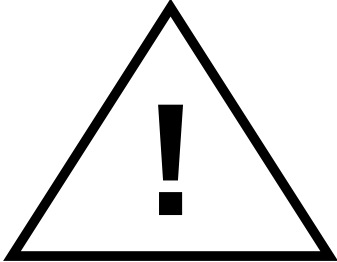
Article number 997 100 02 ..

Article number 997 180 02 ..



FOR YOUR SAFETY

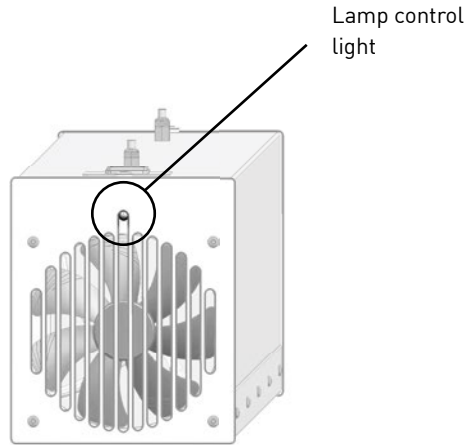
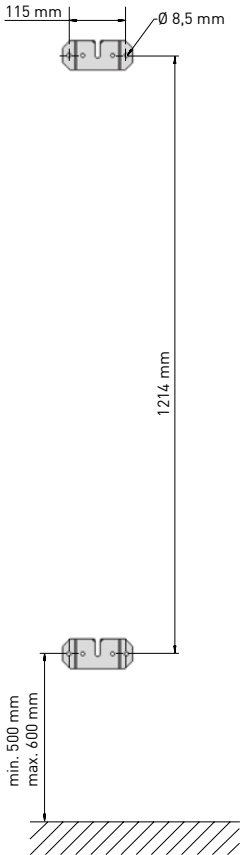
Read these operating instructions carefully before operating the unit and keep them for subsequent reference.

- > Make sure that no water, other liquids or flammable cleaning agents get into the unit to avert the risk of electric shock and/or fire.
 - > Do not clean the unit with water, other liquids or (flammable) cleaning agents to avert the risk of electric shock and/or fire.
 - > Do not spray flammable materials, such as insecticides or disinfectants, around the unit.
 - > Before connecting the unit to the power supply, check that the voltage rating on the unit matches the local line voltage.
 - > This unit can be used by children aged from 8 years and above and persons with reduced physical, sensory or mental capabilities or lack of experience and knowledge if they have been given supervision or instruction concerning use of the unit in a safe way and understand the hazards involved. Children must not be allowed to play with the unit. Cleaning and maintenance must not be carried out by children without supervision.
- 
- > Make sure that the air inlet and outlet are not covered. Therefore, do not place or hang any objects in front of the air outlet or inlet. Make sure that no foreign objects fall into the unit.
 - > Do not place the unit directly under an air conditioner to prevent condensation from dripping onto the unit.
 - > Always disconnect the unit from the power supply after use and before cleaning, maintenance work or replacing the UV-C lamps.

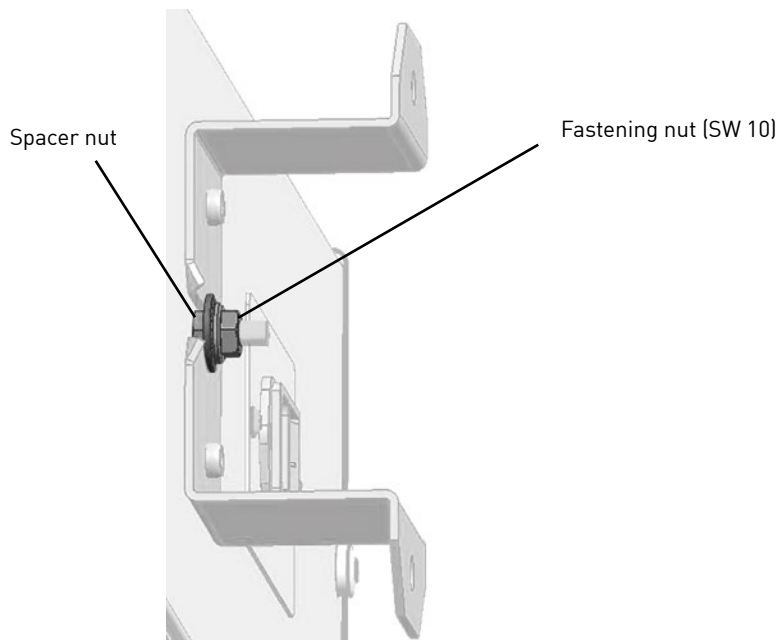
TECHNICAL DATA

Article number	997 100	997 180
Lamp	OSRAM® G36T8/OF HNS 36W G13	OSRAM® G36T8/OF HNS 36W G13
Lamp service life	9000 h at +40 °C	9000 h at +40 °C
Wavelength	253.7 nm	253.7 nm
Air-flow rate	100 m³/h	180 m³/h
UV-C interference radiation	< 1 mW/m² according to DIN EN 12198-1	< 1 mW/m² according to DIN EN 12198-1
Flow velocity	Approx. 1 m/s	Approx. 1.75 m/s
Radiation (dose)	41 J/m²	24 J/m²
Air humidity, non-condensing	5% to 85%	5% to 85%
Max. system power, continuous operation	75 W	75 W
Protection class	I	I
Protection rating (IP)	IP 20	IP 20
Sound pressure level	20 db(A)	32 db(A)
Transformer	220–240 V AC, 50 Hz/60 Hz	220–240 V AC, 50 Hz/60 Hz
Ozone-free	Yes	Yes
Installation type	Wall mounting	Wall mounting
Dimensions (L x W x H)	1870 mm x 155 mm x 185 mm	1870 mm x 155 mm x 185 mm
Mounting spacing (mounting dimension)	1214 mm	1214 mm
Max. weight	11 kg	11 kg

INSTALLATION



- > Wall plug load capacity is designed for 12 kg.
- > Fit the housing into the wall bracket, with the lamp control light pointing downwards towards the floor.
- > The spacer nut must be inside the recess of the wall bracket.
- > Tighten the fastening nut (SW10) to 2 Nm.
- > Plug in the mains cable and switch on.



COMMISSIONING

- ! Note
 - the visible “blue” light has no harmful UV-C radiation.

The BUENOS AIRES UV-C unit is designed for continuous operation.

Commissioning should begin approx. one hour before the room is to be used to ensure that it functions properly.

- ! Note
 - As the unit is delivered with new UV-C lamps, there may be a slight odour during the first hours of operation due to the burning-in process of the lamps. This is normal and does not constitute a defect.

MAINTENANCE

Always switch off the air disinfection unit before maintenance. Disconnect the air disinfection unit from the mains. Never immerse the air disinfection unit in water or other liquids. Do not use abrasive cleaners or aggressive or flammable cleaners, such as bleach or alcohol, to clean the parts of the air disinfection unit.

- ! **WARNING**
 - UV-C light is harmful to the retina. Never operate the lamp without the housing closed.

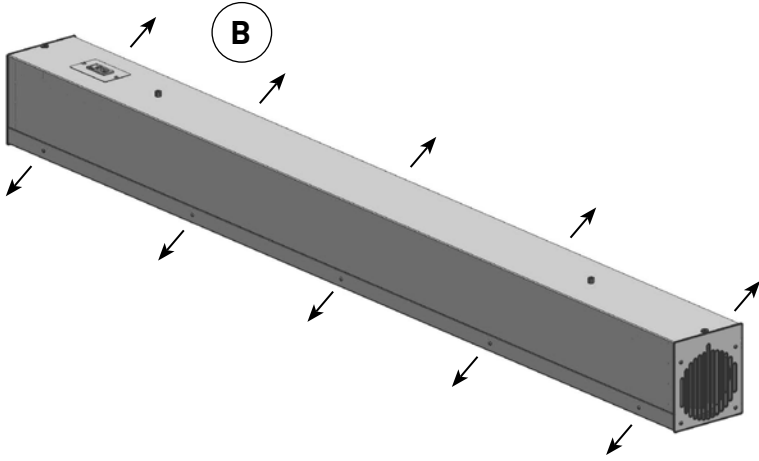
Replace the UV-C lamps after approx. 8,000 operating hours (after approx. 3 years of use 8 hours/day), as the performance diminishes after that.

CLEANING

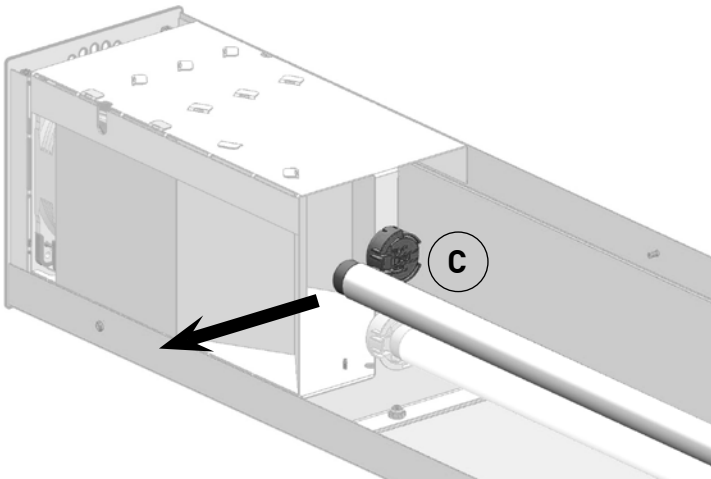
Clean the outside of the air disinfection unit with a soft, dry cloth. The air outlet can also be cleaned with a soft, dry cloth.

REPLACING THE UV-C LAMP

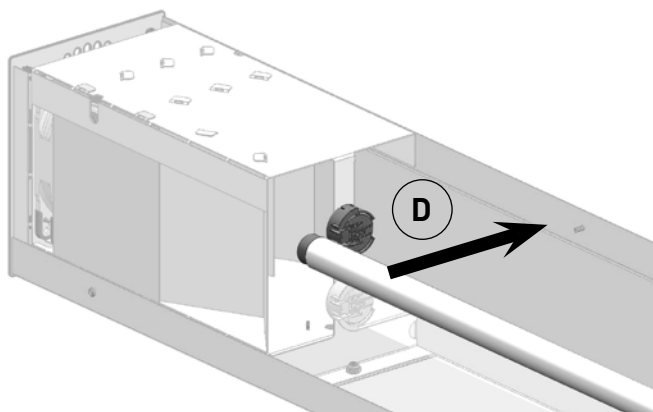
- A Wait until the unit has cooled down completely.
- B Remove the housing screws.



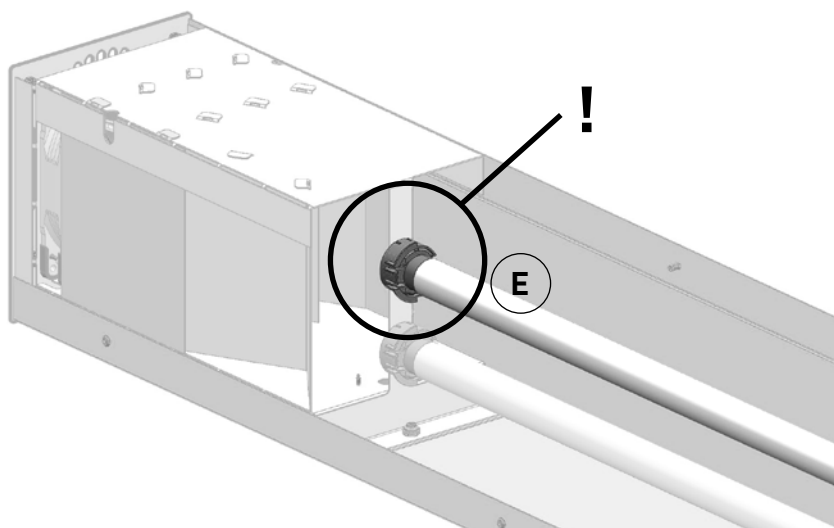
- C Pull the lamps towards the housing opening.



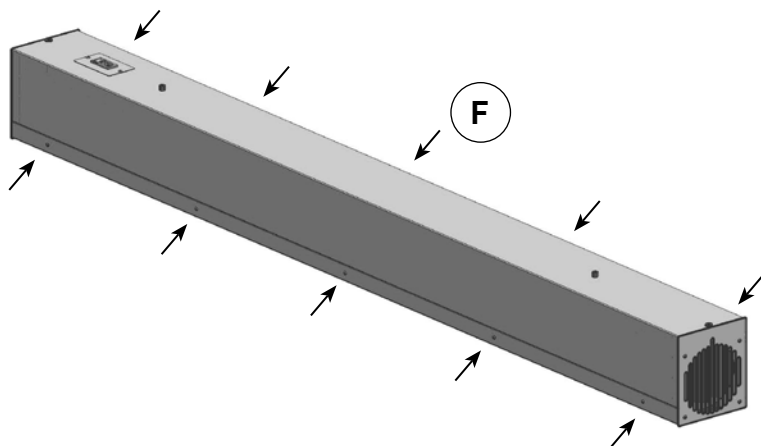
- D** Insert the new lamps
type OSRAM HNS 36W G13.



- E** Check whether the lamp is centred
in the socket.



- F** Tighten the 10 housing screws.



TROUBLESHOOTING

Fault	Possible cause	Remedy
Green light control lamp is off.	No mains voltage UV-C lamp defective	Check the mains voltage. Replace both UV-C lamps.
No air flowing out of air outlet	Air inlet blocked Fan defective	Check the air inlet. Please contact NORKA Customer Service.
Fan wheel is not turning although green control lamp is on.	Fan wheel blocked Fan defective	Check the air inlet for foreign bodies. Please contact NORKA Customer Service.
Other fault		Please contact NORKA Customer Service.

SHUTDOWN

Clean the unit and store it together with these instructions in a clean and frost-proof place.

DISPOSAL

When disposing of the unit or the UV-C lamp, observe the relevant legal regulations.

Information on the disposal of electrical and electronic equipment in the European Community:

Within the European Community, the disposal of electrically operated devices is governed by national regulations based on the EU Directive 2012/19/EU on Waste Electrical and Electronic Equipment (WEEE). According to this Directive, the unit or the UV-C lamp must not be disposed of with municipal or household waste. The unit or the UV-C lamp is accepted free of charge at the municipal collection points or recycling centres.

EU - Declaration of Conformity

Document- No.: **92-13-000251-02**

Reference: **a**

Manufacturer: Norddeutsche Kunststoff- und Elektrogesellschaft
Stäcker mbH u. Co. KG
Lange Straße 1
27313 Dörverden- Hülsen

Product name: **BUENOS AIRES**

The indicated products are in accordance with following European regulations:

2014/30/ EU - directive of electromagnetic compatibility

2014/35/ EU - low voltage directive

2011/65/ EU + 2015/863 - directive of the use of certain hazardous substances (RoHS)

Related standards: EN IEC 63000 / 05.2019
EN 55015 / 07.2019
EN 60335-1 / 08.2020
EN 60335-2-65 / 02.2013
EN 61000-3-2 / 12.2019

Place/Date: Dörverden-Hülsen/ 10.06.2021

Issuer: Signed for and on behalf of: NORKA Norddeutsche Kunststoff- und
Elektrogesellschaft Stäcker mbH und Co. KG



v. Rudkowski, Head of Laboratory & Pre-development



Schönfeld, CEO

This declaration certifies the accordance with the stated regulations but doesn't include assurance of characteristics. The safety marking/advices of the supplied product information has to be observed. This declaration of conformity is issued under the sole responsibility of the manufacturer.

NORKA

**Norddeutsche Kunststoff- und Elektro-
gesellschaft Stäcker mbH & Co. KG**

Lichttechnische Spezialfabrik

Weidestraße 122 a
22083 Hamburg
Germany

T. +49 (0)40 513 009 0

info@norka.com

norka.com